

Ceiling Recessed Model-High Static Model
3-Row Cooling/Heating

SRC-2HW-3R-DRC
-Z/P/PW/PC

SRC-2HW-3R-DRE
-Z/P/PW/PE



220V

Specification

| Unit Size | | 300 | 400 | 600 | 800 | 1000 | 1200 | 1400 |
|----------------------------|----|---|------|------|------|------|------|------|
| Air Volume l/s | H | 154 | 226 | 283 | 340 | 460 | 552 | 655 |
| | M | 135 | 183 | 259 | 285 | 410 | 506 | 570 |
| | L | 104 | 144 | 213 | 210 | 336 | 418 | 432 |
| Cooling Capacity KW | SH | 1.5 | 2.5 | 3.1 | 4.0 | 4.8 | 5.9 | 7.0 |
| | TH | 1.8 | 3.2 | 4.1 | 5.5 | 6.1 | 7.7 | 9.3 |
| Heating Capacity KW | | 4.5 | 6.9 | 8.6 | 10.7 | 13.5 | 16.4 | 19.3 |
| Water Flow l/s | | 0.09 | 0.16 | 0.2 | 0.27 | 0.3 | 0.37 | 0.45 |
| W.P.D. kPa | | 3 | 9 | 15 | 32 | 7 | 12 | 18 |
| Input Power W | | 68 | 94 | 119 | 155 | 204 | 234 | 283 |
| Running Current A | | 0.31 | 0.43 | 0.55 | 0.71 | 0.94 | 1.07 | 1.30 |
| Noise dB(A) | H | 48.5 | 46.5 | 48.5 | 50.5 | 52.0 | 51.0 | 54.5 |
| | M | 45.0 | 41.0 | 46.5 | 46.5 | 49.0 | 49.0 | 51.0 |
| | L | 38.5 | 35.5 | 42.5 | 39.5 | 44.5 | 44.5 | 44.0 |
| Weight kg (without plenum) | | 19 | 22 | 24 | 28 | 36 | 42 | 45 |
| Weight kg (with plenum) | | 23 | 27 | 30 | 35 | 44 | 55 | 60 |
| Holding Water Volume L | | 0.8 | 1.1 | 1.3 | 1.7 | 2.0 | 2.4 | 2.7 |
| Casing | | Galvanized Steel | | | | | | |
| Fan | | Galvanized sheet fabricated, Forward-Curved DIDW Fan | | | | | | |
| Motor | | 3-Speed, PSC with Capacitor Cap and Flexible Conduit | | | | | | |
| Power Source | | AC220V, 50Hz, Single Phase | | | | | | |
| Coil | | Slit Surfaced, Aluminum Finned Coil complete with Female Sockets at Inlet/Outlet Conn. And Air Vent | | | | | | |
| Operating Pressure | | Max 1700kPa (250psig) unless otherwise specified | | | | | | |
| Drain Pan | | Stainless Steel, SUS430 | | | | | | |

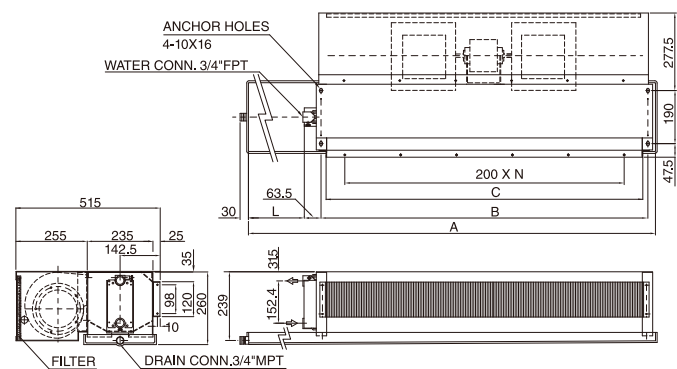
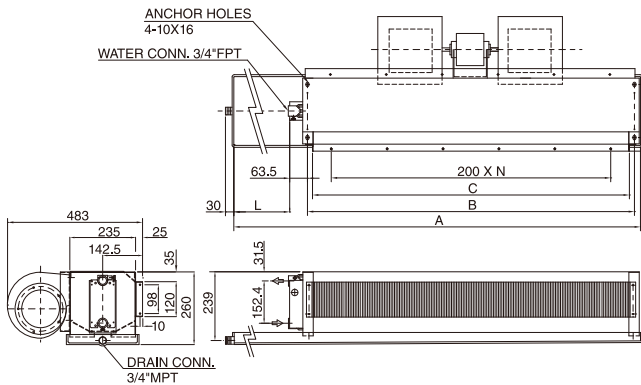
Note:

- Cooling capacity is based on DB24°C, WB17.8°C, EWT7°C, LWT12°C.
- Heating capacity is based on DB20°C, EWT60, same water flow as cooling.
- Cooling/Heating Capacity, Input Power, Running Current are based on H speed.
- Noise is measured at an anechoic chamber, 1m from the unit surface.
- Running current may change according to the conditions.
- Air volume is based on ESP 50Pa. without plenum and filter.

Dimensions

Without Plenum **SRC-2HW-3R-DRC-Z** **SRC-2HW-3R-DRE-Z**
SRC-2HW-3R-DRC15-Z **SRC-2HW-3R-DRE15-Z**
SRC-2HW-3R-DRC24-Z **SRC-2HW-3R-DRE24-Z**

With Plenum **SRC-2HW-3R-DRC-P/PW/PC** **SRC-2HW-3R-DRE-P/PW/PC**
SRC-2HW-3R-DRC15-P/PW/PC **SRC-2HW-3R-DRE15-P/PW/PC**
SRC-2HW-3R-DRC24-P/PW/PC **SRC-2HW-3R-DRE24-P/PW/PC**



| Unit Size | -Z/P/PW/PE/PC | | 15-Z/P/PW/PE/PC | | 24-Z/P/PW/PE/PC | | B | C | N | NO. OF FAN | NO. OF MOTOR |
|------------------------|---------------|----|-----------------|-----|-----------------|-----|------|------|---|------------|--------------|
| | A | L | A | L | A | L | | | | | |
| SRC- 300-2HW-3R-DRC(E) | 635 | 50 | 785 | 200 | 875 | 290 | 500 | 462 | 2 | 1 | 1 |
| SRC- 400-2HW-3R-DRC(E) | 885 | 50 | 1035 | 200 | 1125 | 290 | 750 | 712 | 3 | 2 | 1 |
| SRC- 600-2HW-3R-DRC(E) | 1020 | 50 | 1170 | 200 | 1260 | 290 | 885 | 847 | 4 | 2 | 1 |
| SRC- 800-2HW-3R-DRC(E) | 1305 | 50 | 1455 | 200 | 1545 | 290 | 1170 | 1132 | 5 | 2 | 1 |
| SRC-1000-2HW-3R-DRC(E) | 1490 | 50 | 1640 | 200 | 1730 | 290 | 1340 | 1302 | 6 | 3 | 2 |
| SRC-1200-2HW-3R-DRC(E) | 1740 | 50 | 1890 | 200 | 1980 | 290 | 1590 | 1552 | 7 | 4 | 2 |
| SRC-1400-2HW-3R-DRC(E) | 1920 | 50 | 2070 | 200 | 2160 | 290 | 1770 | 1732 | 8 | 4 | 2 |

Note:

- Left hand unit is shown.
- Furnish access door to service fan motor.
- Wiring works between motor and switch, and unit to power source by contractors.
- Unit shall be mounted horizontally.
- To prevent condensation, fan interlock valve shall be furnished so that water supply will be stopped when fan is off.