

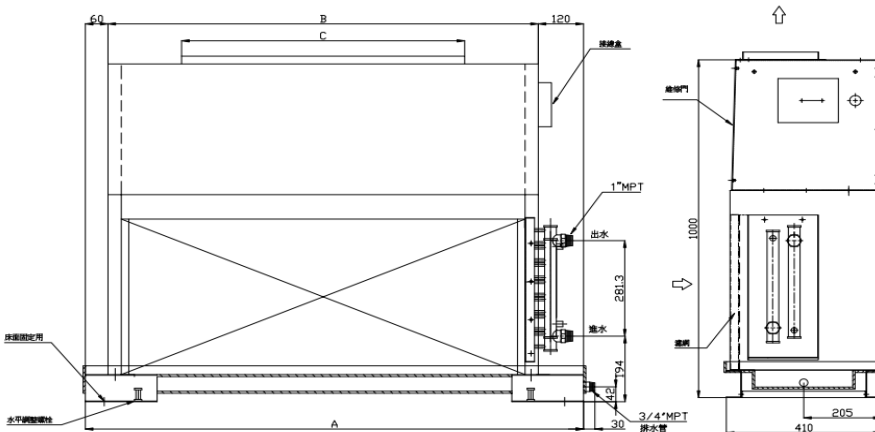
○MV Model Cooling Capaities - 4ROWS

| Entering Air Condition DB:24°C WB:17.8°C(RH=55%) | | | | | |
|--|---------------------|--------------|---------------------------|------------------------|------|
| MV | Water Flow L/sec | W.P.D kPa | Air vol.at 50Pa l/s | Cooling capaity at 7°C | |
| | | | | SH | TH |
| | | | | kW | kW |
| 204 | 0.5 | 11.9 | 310 | 4.2 | 6.4 |
| | 0.67 | 25 | | 4.3 | 6.9 |
| 304 | 0.5 | 15.1 | 426 | 5.6 | 8.5 |
| | 0.67 | 30 | | 5.8 | 9.2 |
| 404 | 0.5 | 3.2 | 650 | 7.8 | 10.6 |
| | 0.67 | 6 | | 8.3 | 11.7 |
| 504 | 0.5 | 1.5 | 840 | 9.6 | 12.7 |
| | 0.67 | 7 | | 10.3 | 14.3 |

NOTED : BASED ON "Hi" FAN-SPEED

NOTE:

- (1) RIGHT HAND UNITS IS SHOWN UNLESS OTHERWISE SPECIFIED HAND PIPE CONNECTION FURNISHED.
- (2)FURNISH ACCESS DOOR TO SERVICE FAN MOTOR
- (3)WIRING WORKS BETWEEN MOTOR AND SWITCH AND UNIT TO POWER SOURCE BY CONTRACTORS



○Dimension

| Model Size | Dimension(mm) | | | Coil Conn | Number of | | Net Weight (kg) |
|------------|---------------|------|-----|------------|-----------|----------|--------------------|
| | A | B | C | | Fan(s) | Motor(s) | |
| MV-204 | 800 | 620 | 450 | 1" MPT | 1 | 1 | 66 |
| MV-304 | 980 | 800 | 600 | 1" MPT | 1 | 1 | 74 |
| MV-404 | 1320 | 1140 | 750 | 1-1/4" MPT | 2 | 1 | 85 |
| MV-504 | 1500 | 1320 | 900 | 1-1/4" MPT | 2 | 1 | 108 |

| | |
|--------------------|--|
| Casing | Galvanized Steel |
| Fan | Galvanized Steel fabricated,Forward-Curved DIDW Fan |
| Motor | 3-Speed ,PSC with Capacitor Cap and Flexible Codut |
| Power Source | AC 220V, 50Hz/60Hz , Single Pahse |
| Coil | Slit Surfased,Aluminm Finned Coil complete with Female Sockets at inlet/Outlet Conn,And Air Vent |
| Operating Pressure | Max 1700kPa(250psig) unless otherwise pecified |
| Drain Pan | Stainless Steel,SUS430 |